

# 43F2408R-MP PFI

## 【SPECIFICATIONS】

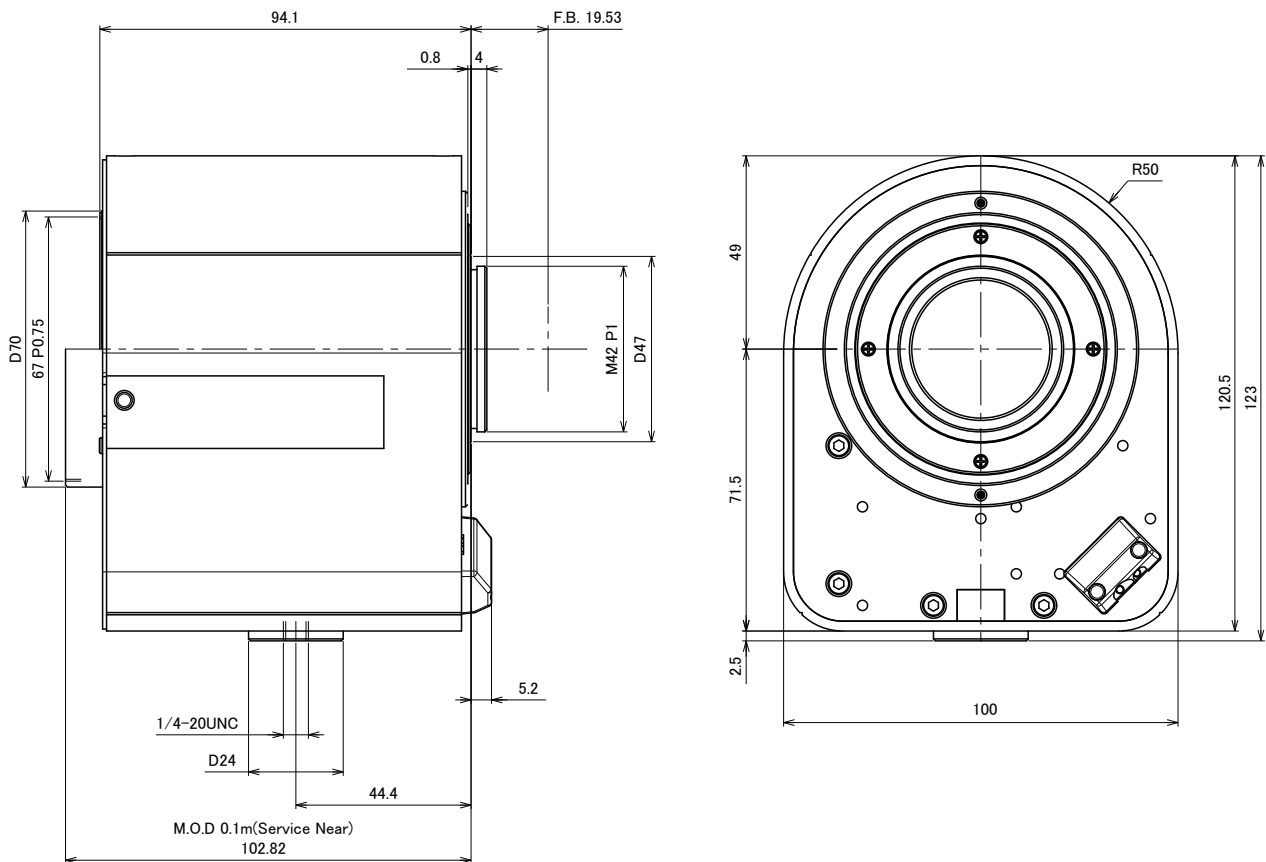
Image Size: 4/3

Focal Length :	24 mm	Frage Back :	19.53 mm (In Air)
Maximum Relative Aperture :	1:0.8	Operation :	Focus : Motorized (DC+/-6.4V , Approx.11sec) Iris : Motorized (DC+/-6.4V , Approx.7.4sec)
Iris :	F0.8~16	Operation Temperature :	-10~+50°C
Angular Field of View :	39.3° × 30.8° (49.0° )	Mount :	M42 P1.0
Image Size :	17.3 x 13.5 mm (Φ21.9mm)	Front Thread :	67mm P0.75
Minimum Object Distance :	0.15 m (S.N. 0.1m)	Size,Weight :	100 x 120.5 x 94.12 mm , Approx.1500g
Optical Back Focal Distance :	20.08 mm (In Air)		

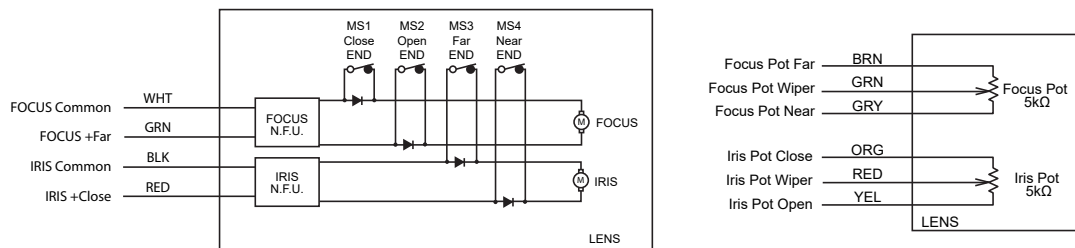
## 【COMPOSITION】

- Lens ..... 1
- Lens Cap ..... 1
- Dust Cap ..... 1

## 【DIMENSIONS】



## 【CIRCUIT DIAGRAM】



Unit:mm