

VZ16160R-6W

[SPECIFICATIONS]

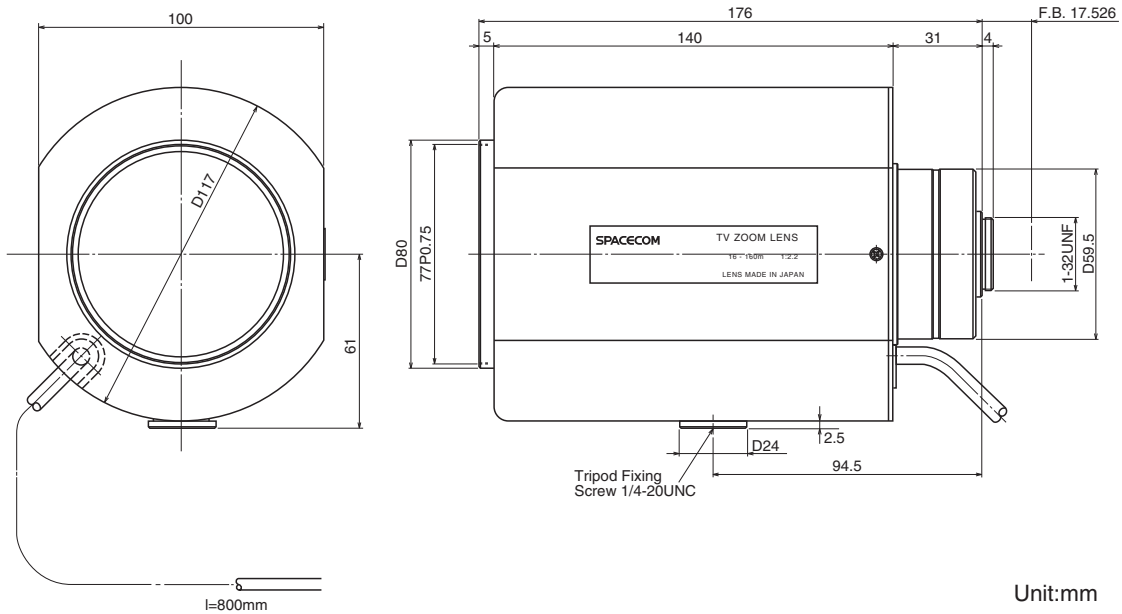
Image Size: (1) (2/3) (1/2) (1/3) (1/4)

Focal Length :	16 - 160mm	Flange Back :	17.526mm
Maximum Relative Aperture :	1:2.2(Tele End 1:2.7)	Operation :	Zoom : Motorized(DC+/-6.4V, Max80mA) Speed Approx. 5.5sec.
Iris :	F2.2 - Close	Focus :	Motorized(DC+/-6.4V, Max80mA) Speed Approx. 8sec.
Zoom Ratio :	10X	Iris :	Motorized(DC+/-6.4V, Max70mA) Speed Approx. 3.5sec.
Angular Field of View :	43.6 X33.4 deg. at 16mm 4.6 X 3.4 deg. at 160mm	Operation Temperature :	-10 to +50
Image Format :	12.8X9.6mm(D16mm)	Mount :	C-Mount(Adjustable Lens Position)
Minimum Object Distance :	1.1m(From Front Vertex)	Front Thread :	77mm P0.75
Object Dimensions at M.O.D. :	88.0X66.0cm at 16mm 8.8X 6.5cm at 160mm	Size, Weight :	117X100X176mm, Approx. 1.4kg
Optical Back Focal Distance :	18.6mm(In Air)		

[COMPOSITION]

- Lens1
- Lens Cap1
- Dust Cap1

[DIMENSIONS]



[CIRCUIT DIAGRAM]

