

# TV555DC IR

[SPECIFICATIONS] High-Resolution , 11x Vari Focal Lens

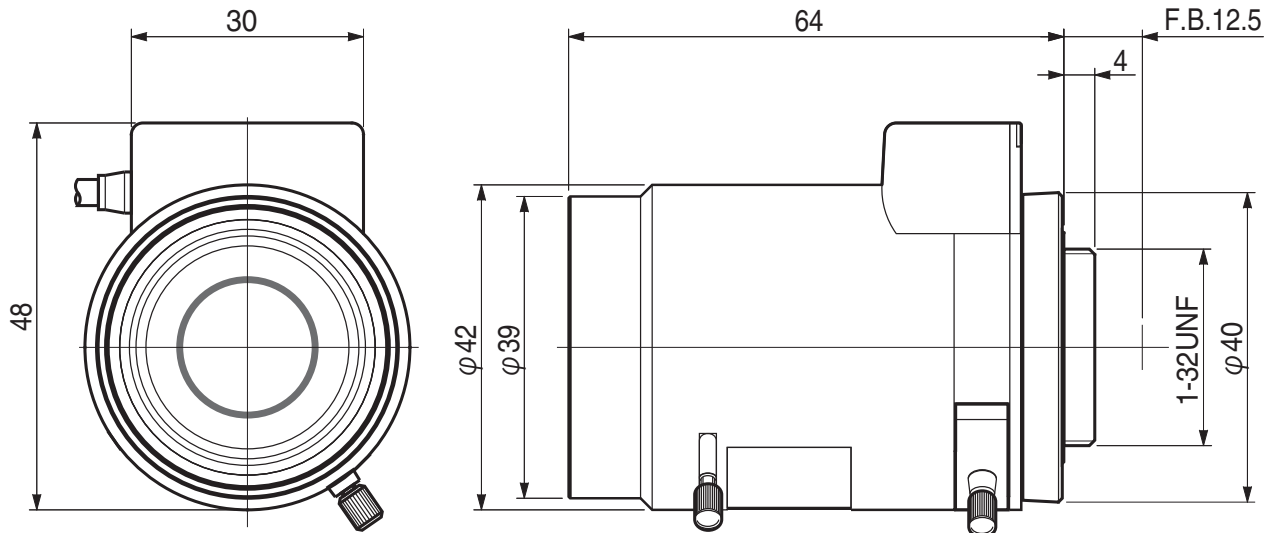
Image Size:  $\frac{1}{3}$   $\frac{1}{4}$

Focal Length :	5 - 55mm	Optical Back Focal Distance :	More than 10.97mm (In Air)
Maximum Relative Aperture :	1:1.4	Flange Back :	12.5mm
Iris :	F1.4 - Approx.360 (With ND Spot Filter)	Operation Voltage :	Close to Open : Less than 4.0V Open to Close : More than 0.5V
Angular Field of View :	53.1X40.0 deg. at 5mm 4.8X 3.6 deg. at 55mm	Operation :	Focus : Manual Zoom : Manual Iris : IG(Auto Close System)
Image Format :	4.8X3.6mm (D6mm)	Operation Temperature :	-10 to +50°C
Minimum Object Distance :	0.3m at 5mm 0.8m at 55mm(From Front Vertex)	Mount :	CS-Mount (Adjustable Lens Position)
		Size, Weight :	D42X50X64mm

[COMPOSITION]

- Lens .....1
- Lens Cap .....1
- Dust Cap .....1

[DIMENSIONS]



Unit:mm

[CIRCUIT DIAGRAM]

