

TV308DC-2

[SPECIFICATIONS] Day & Night Vari Focal Lens

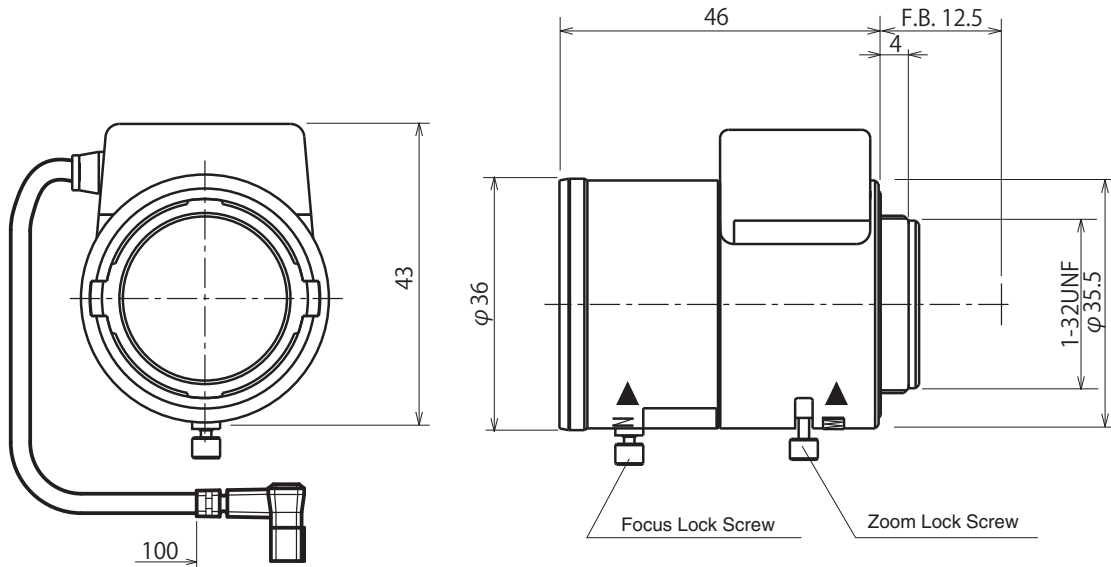
Image Size: $\frac{1}{3}$ $\frac{1}{4}$

Focal Length :	3 - 8mm	Optical Back Focal Distance : 7.25 - 12.81mm(In Airs)
Maximum Relative Aperture :	1:1.2	Flange Back: 12.5mm
Iris :	F1.2 - Approx.360 (With ND Spot Filter)	Operation Voltage: Close to Open : Less than 4V Open to Close : More than 0.5V
Angular Field of View :	92.5X68.5 deg.at 3mm 35.6X26.7 deg.at 8mm	Operation : Focus : Manual Zoom : Manual Iris : IG(Auto Close System)
Image Format :	4.8X3.6mm(D6mm)	Operation Temperature : -10 to +50
Minimum Object Distance :	0.3m(From Front Vertex)	Mount : CS-Mount(Adjustable Lens Position)
Object Dimensions at M.O.D. :	63.1X40.4cm at 3mm 19.3X 14.3cm at 8mm	Size, Weight : D36X46X46mm, Approx. 63g

[COMPOSITION]

- Lens1
- Lens Cap1
- Dust Cap1

[DIMENSIONS]



[CIRCUIT DIAGRAM]

Unit:mm

