

JZ1169R-6W

[SPECIFICATIONS]

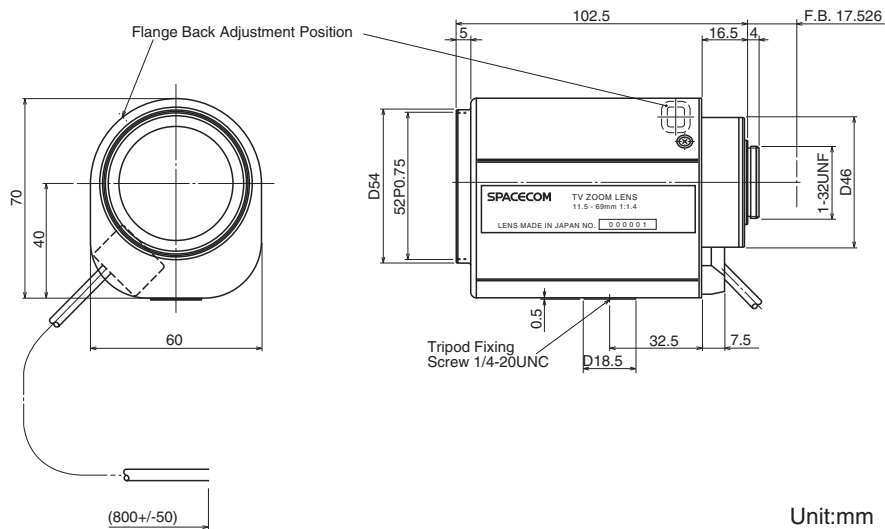
Image Size: (2/3) (1/2) (1/3) (1/4)

Focal Length :	11.5 - 69mm	Flange Back :	17.526mm
Maximum Relative Aperture :	1:1.4	Operation :	Zoom : Motorized(DC+/-6.4V, Max40mA) Speed Approx. 6sec.
Iris :	F1.4 - Close	Focus :	Motorized(DC+/-6.4V, Max40mA) Speed Approx. 7sec.
Zoom Ratio :	6X	Iris :	Motorized(DC+/-6.4V, Max40mA) Speed Approx. 3.5sec.
Angular Field of View :	41.9 X32.0 deg. at 11.5mm 7.3 X 5.5 deg. at 69mm	Operation Temperature :	-10 to +50
Image Format :	8.8X6.6mm(D11mm)	Mount :	C-Mount(Adjustable Lens Position)
Minimum Object Distance :	1.0m(From Front Vertex)	Front Thread :	52mm P0.75
Object Dimensions at M.O.D. :	72.8X54.6cm at 11.5mm 12.8X 9.6cm at 69mm	Size, Weight :	70X60X102.5mm, Approx. 500g
Optical Back Focal Distance :	17.93mm(In Air)		

[COMPOSITION]

- Lens1
- Lens Cap1
- Dust Cap1

[DIMENSIONS]



[CIRCUIT DIAGRAM]

