

# JZ10100R-6W

[SPECIFICATIONS]

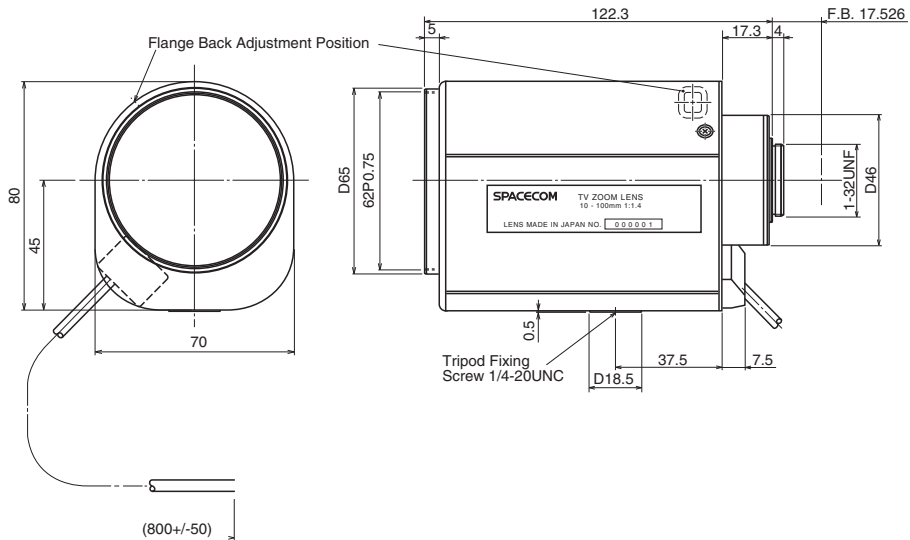
Image Size: (2/3) (1/2) (1/3) (1/4)

Focal Length :	10 - 100mm	Flange Back :	17.526mm
Maximum Relative Aperture :	1:1.4	Operation :	Zoom : Motorized(DC+/-6.4V, Max40mA) Speed Approx. 6sec.
Iris :	F1.4 - Close	Focus :	Motorized(DC+/-6.4V, Max40mA) Speed Approx. 7sec.
Zoom Ratio :	10X	Iris :	Motorized(DC+/-6.4V, Max40mA) Speed Approx. 3.5sec.
Angular Field of View :	47.5 X36.5 deg. at 10mm 5.0 X 3.8 deg. at 100mm	Operation Temperature :	-10 to +50
Image Format :	8.8X6.6mm(D11mm)	Mount :	C-Mount(Adjustable Lens Position)
Minimum Object Distance :	1.2m(From Front Vertex)	Front Thread :	62mm P0.75
Object Dimensions at M.O.D. :	105.6X79.1cm at 10mm 10.5X 8.0cm at 100mm	Size, Weight :	80X70X122.3mm, Approx. 700g
Optical Back Focal Distance :	14.69mm(In Air)		

[COMPOSITION]

- Lens .....1
- Lens Cap .....1
- Dust Cap .....1

[DIMENSIONS]



Unit:mm

[CIRCUIT DIAGRAM]

