

# HV880DCIR-MP

[SPECIFICATIONS] 1.5MP DAY&NIGHT LENS, EXTRA LOW DISPERSION GLASS

Image Size:  $\frac{1}{2}$   $\frac{1}{3}$   $\frac{1}{4}$

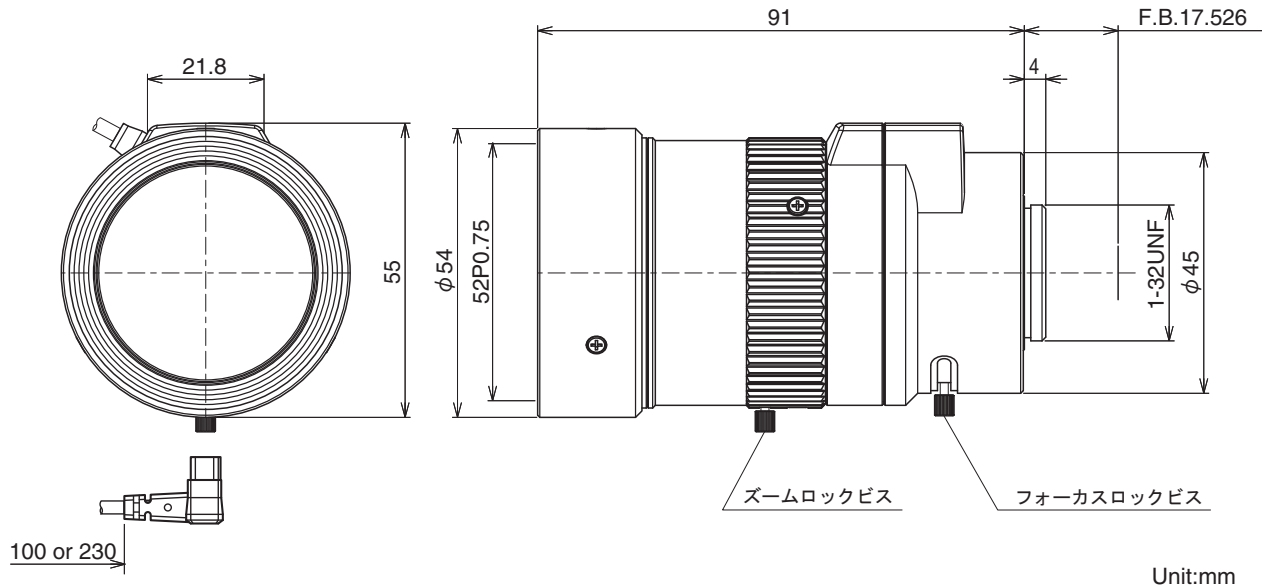
Focal Length : 8.0 - 80mm  
 Maximum Relative Aperture : 1:1.6  
 Iris : F1.6 - Approx. 360 (With ND Spot Filter)  
 Zoom Ratio : 10X  
 Angular Field of View : 46.6 X34.3 deg. at 8.0mm  
 4.7 X 3.6 deg. at 80mm  
 Image Format : 6.4X4.8mm(D8mm)  
 Minimum Object Distance : 0.1m at 8.0mm(From Front Vertex)  
 0.7m at 80mm(From Front Vertex)  
 Optical Back Focal Distance : 17.07 to 21.42mm(In Air)  
 Flange Back : 17.526mm

Operation : Focus: Manual  
 Zoom: Manual  
 Iris: IG(Auto Close System)  
 Close to Open : Less than 4V  
 Open to Close : More than 0.1V  
 Speed Within 4sec.  
 Operation Temperature : -10 to +50°C  
 Mount : C-Mount(Adjustable Lens Position)  
 Front Thread : 52mm P0.75  
 Size : D58X91.5mm

[COMPOSITION]

- Lens .....1
- Lens Cap .....1
- Dust Cap .....1

[DIMENSIONS]



Unit:mm

[CIRCUIT DIAGRAM]

