

Features

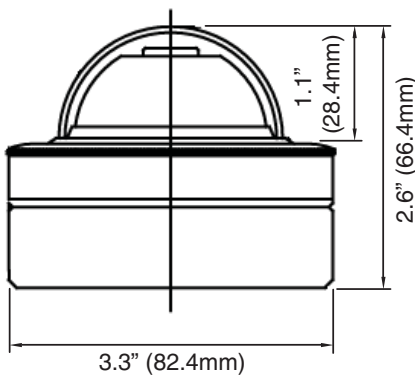
- 1/3" Color Sony Super HAD II CCD
- 700 TV lines, 0.1 lux
- 3.6mm lens (wide angle 2.45mm option)
- Basic Day/Night (not IR sensitive)
- Can be flush or surface mounted
- DWDR (Digital Wide Dynamic Range)
- Advanced DNR (Digital Noise Reduction)
- Weatherproof aluminum housing IP66
- 12VDC
- 3-year warranty



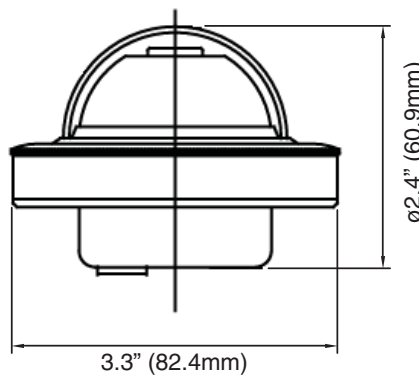
Model	V7003	V7002
Lens	3.6mm	2.45mm
Horizontal Field of View	70°	95°
Image Sensor	1/3" Interline Transfer Sony Super HAD II CCD	
TV System	NTSC	
Picture Elements (pixels)	976 (H) x 494(V)	
Horizontal Resolution	700 TV Lines	
Min. Illumination	0.1 lux	
Signal to Noise Ratio	More than 52dB	
Video Output	1Vp-p 75ohm	
Gain Control	Automatic	
Power Requirement	12VDC ±10%, 200mA (2W) Max. Use Regulated 12VDC power supply only.	
Synchronizing System	Internal	
Operating Condition	+14 ~ 122°F (-10°C ~ +50°C) Within 90% RH	
Dimensions	ø3.3 x 2.4 inches (ø83mm x 61mm)	
Weight / Color	14.1 oz. (400g) / Ivory	

Specifications Subject To Change – C0607

Surface Mount



Flush Mount



IR Version Available

Special Order

