

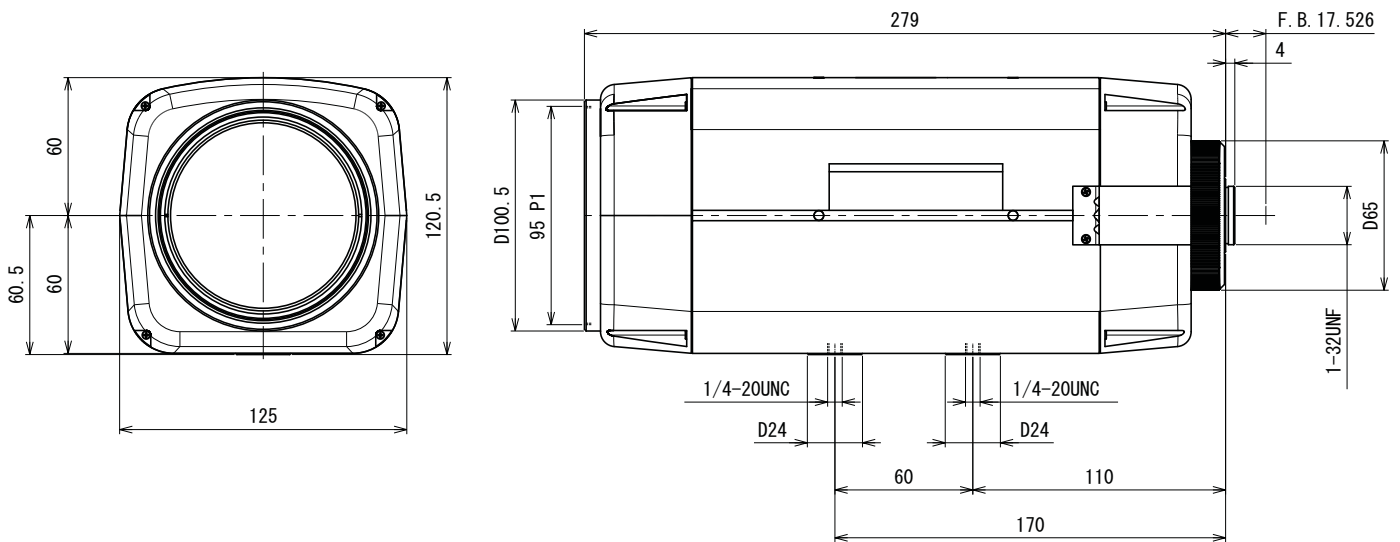
# RBM35X10DCIR

10~350mm F1.6 – C-Mount

35X 2MP Day/Night Motorized with DC Auto-Iris

Compatible with 1/2" & 1/3" Cameras

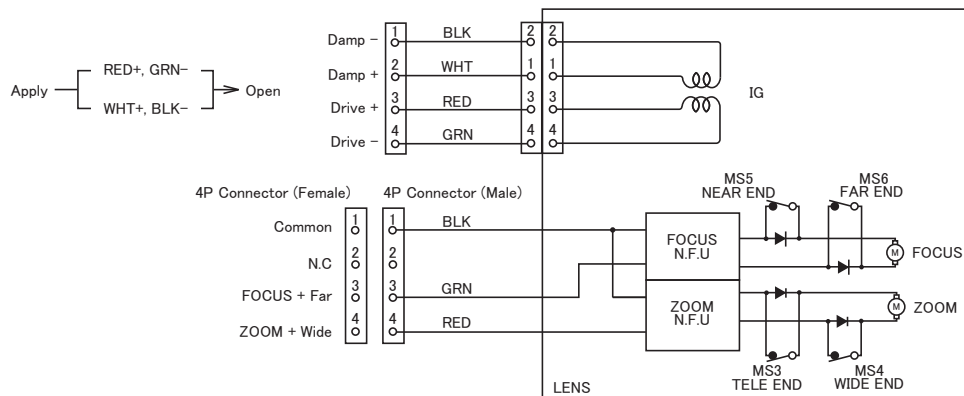
<b>Focal Length:</b>	10~350mm	<b>Operation:</b>	Zoom: Motorized (DC±6.4V~12V, Max 40mA)
<b>Max. Relative Aperture:</b>	1:1.6	Focus: Motorized (DC±6.4V~12V, Max 40mA)	Iris: IG (Auto-Close System)
<b>Iris:</b>	F1.6~Approx. F360 With ND Spot Filter (F4.5 at Tele)		Close to Open: Less than 4V Open to Close: More than 0.1V
<b>Zoom Ratio:</b>	35X	<b>Operation Temperature:</b>	-10 ~ +50°C (+14 ~ 122° F)
<b>Angular Field of View:</b>	1/2": 35.2° × 26.5° at 10mm 1.1° × 0.8° at 350mm	<b>Filter Size:</b>	95mm P1
<b>Min. Object Distance (M.O.D.):</b>	4m (From Front Vertex)	<b>Mount:</b>	C-mount (Adjustable Lens Postion)
<b>Optical Back Focal Distance:</b>	15.14mm (In Air)	<b>Size, Approx. Weight:</b>	120 × 120.5 × 279mm (w/h/d), 3.5kg (Approx. 4.7 × 4.7 × 11.0in., 7.7lb.)



Unit : mm



## – Circuit Diagram –



Specifications Subject To Change